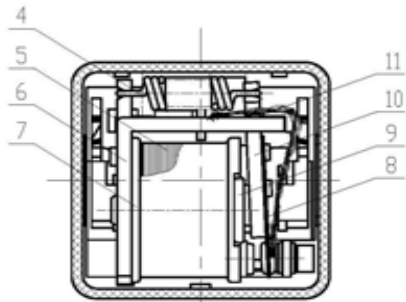
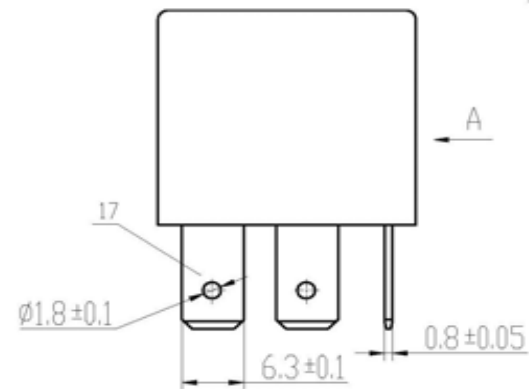
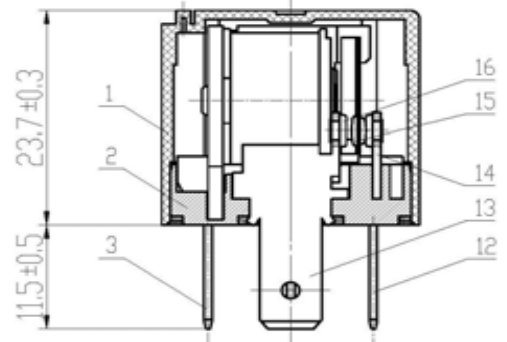


DATE CODE
DATE CODE
0706
MONTH
YEAR



No.	Part Name	Material	Quantity
1	Cover	PBT GF30Z	1
2	Base	PBT GF30Z	1
3	86 Terminal	Cu	1
4	Return spring	Stainless Steel	1
5	Magnetic Wire	Cu	-
6	Yoke	Pure iron	1
7	Bobbin	PBT GF30Z	1
8	Spring	Cu	1
9	Core	Pure iron	1
10	Armature	Pure iron	1
11	Braid	Cu	1
12	85 Terminal	Cu	1
13	87 Terminal	Cu	1
14	87A Terminal	Cu	1
15	Movable Contact	AgSnO2	1
16	Stationary Contact	AgSnO2/Cu	2
17	30 Terminal	Cu	1
18	Adhesive	Epoxy glue	-

Technical Data

nominal Voltage	24 Vdc
Coil Resistance	350*(±10%) Ω
Diode	1N4007
Pull-in Voltage	< 15.6 Vdc.(23%)
Drop-out Voltage	> 2.4 Vdc.(23%)
Contact Drop Voltage(Initial)	< 100 mV (<10 A)
Insulation Resistance(Initial)	> 100MΩ.500 Vdc.
Dielectrical Strength	500 Vdc.,1min

HFV7A
Media No.
Former Base Drawing No.
Base Drawing No.
Date Signature
Format(CPI)

APPROVAL NO : EL-0996
(DI NO : A124036-03)
APPROVED
BY : H. J. YU
2007.07.04.
Doosan Infracore Co.,Ltd.
Industrial Vehicle BG

Mark number	Number of Modification	Signature	Date
Item	Signature	First version	
Drawn by			
Checked by			
Rechecked by			
Standardized by			
Approved by			

Item	Drawing No.	Name	Number	Remark
Relay		RC-24ES-GD2V0		
KOREA		Version	Weight	Scale
				2:1
		Page 1	Total page 1	
HANDOUK Electronics Co. Ltd				