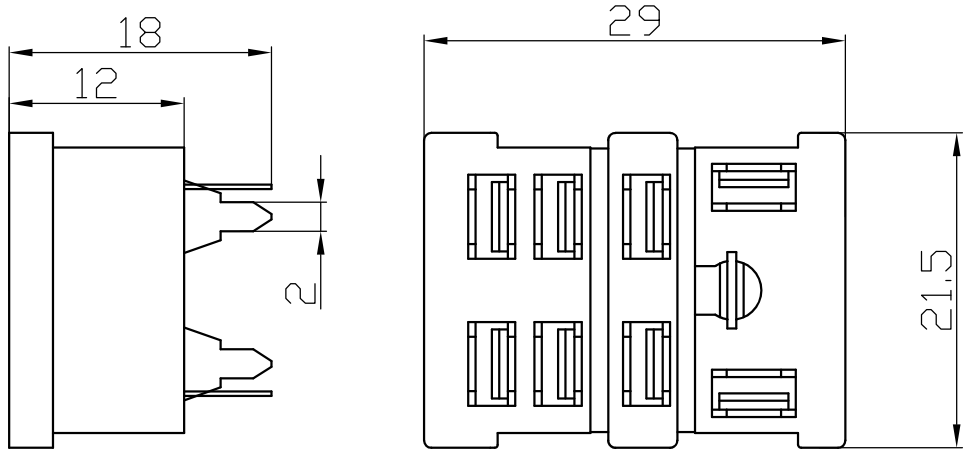
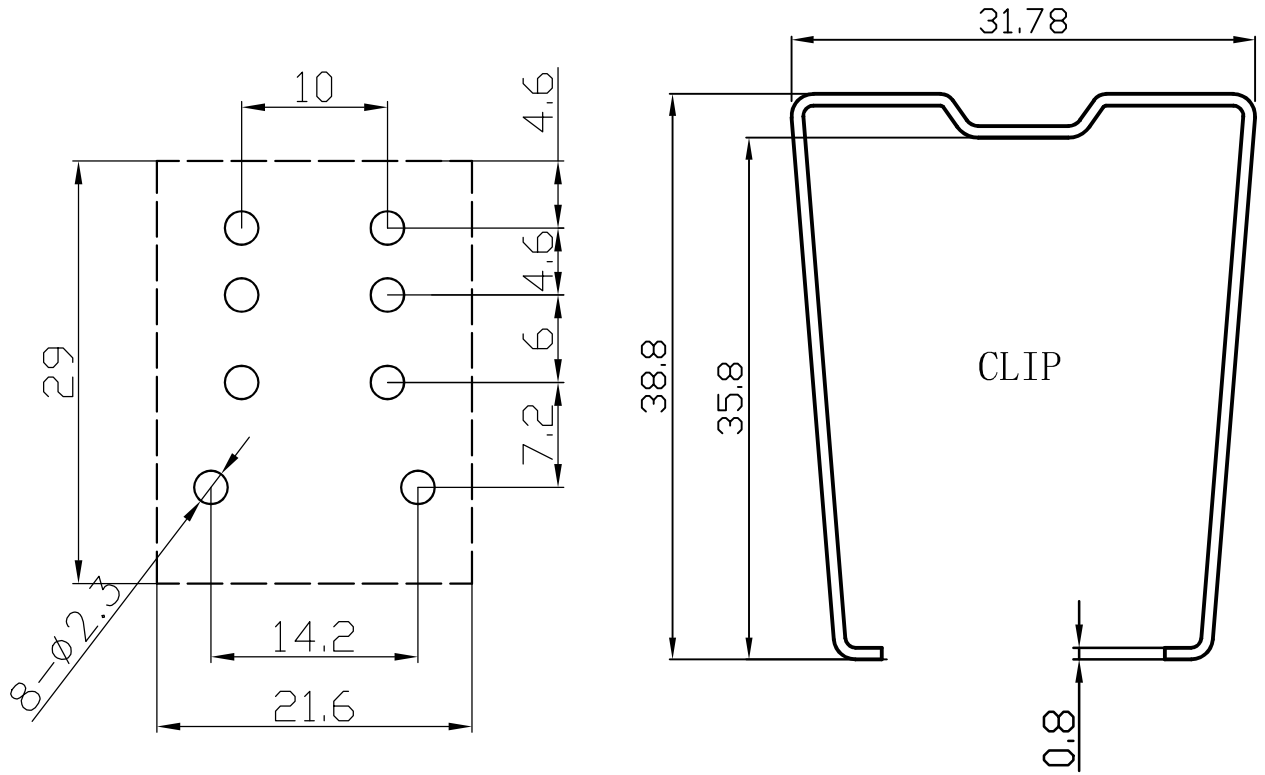


OUTLINE DIMENSIONS



PCB LAYOUT (BOTTON VIEW)



				GB-2C-A2			HANDOUK ELE. CO. LTD.	
							OUT LINE DIMENSION	
							GB2CA2.551.001	
				S	A	B	V1.0	2:1