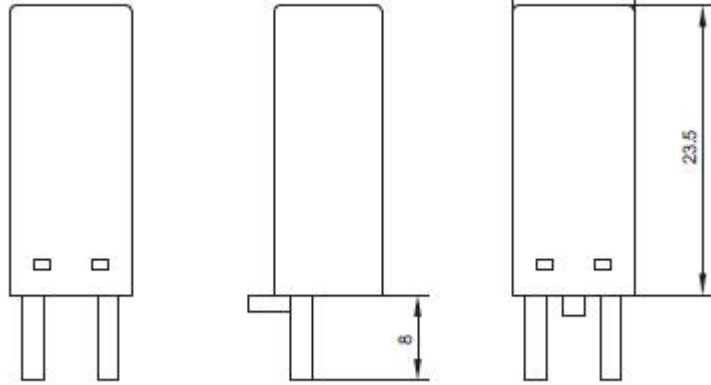




# HDJA to HDRU

# PLUG-IN MODULES

## OUTLINE DIMENSIONS



Applicable socket type:

HL-1C-C, HL-2C-C, GA-2C-C, GA-3C-C, GA-4C-C

## SPECIFICATIONS FOR MODULES

Ordering Code <sup>1)</sup>	Circuit Diagram	Voltage	Components	Functions
HDJA		6VDC to 220VDC	Diode	*With diode to protect the coil and to eliminate the converse current
HDJB		6VDC to 220VDC	Diode	
HDKC(R) HDKC(G)		6VDC to 24VDC	Diode, LED, Resistor	*With diode to protect the coil and to eliminate the converse current
HDKD(R) HDKD(G)		24VDC to 60VDC	Diode, LED, Resistor	
HDKE(R) HDKE(G)		110VDC	Diode, LED, Resistor	*With LED to show the coil in voltage

Notes:1) When there is LED in the module, please indicate (R) or (G) to show the color of the light, for example HDLF(R) or HDLF(G).

(R) means red light while (G) means green light.

HDLF(R) HDLF(G)		6VDC to 24VDC	Diode,LED, Resistor	*With diode to protect the coil and to eliminate the converse current *With LED to show the coil in voltage
HDLG(R) HDLG(G)		24VDC to 60VDC	Diode,LED, Resistor	
HDLH(R) HDLH(G)		110VDC	Diode,LED, Resistor	
HDMI		6V to 24V AC/DC	Capacitor Resistor	*With RC to protect the coil and to absorb instant starting surge current
HDMJ		24V to 60V AC/DC	Capacitor Resistor	
HDMK		110V to 230V AC/DC	Capacitor Resistor	
HDNL(R) HDNL(G)		6V to 24V AC/DC	Diode,LED, Resistor	*With diode to protect the coil and to eliminate the converse current *With LED to show the coil in voltage
HDNM(R) HDNM(G)		24V to 60V AC/DC	Diode,LED, Resistor	
HDNN(R) HDNN(G)		110VAC to 230VAC, 110VDC	Diode,LED, Resistor	
HDPO(R) HDPO(G)		6V to 24V AC/DC	Diode,LED, Resistor,Varistor	*With diode to protect the coil and to eliminate the converse current *With LED to show the coil in voltage *With Varistor in parallel connection to absorb instant starting surge current
HDPP(R) HDPP(G)		24V to 60V AC/DC	Diode,LED, Resistor,Varistor	
HDPQ(R) HDPQ(G)		110VAC to 230VAC, 110VDC	Diode,LED, Resistor,Varistor	
HDQR		24VAC	Varistor	*With Varistor in parallel connection to absorb instant starting surge current
HDQS		115VAC	Varistor	
HDQT		230VAC	Varistor	
HDRU		110VAC to 230VAC	Resistor	*With resistor to protect the coil and to spread around current

#### Disclaimer

The specification is for reference only. See to “Terminology and Guidelines” for more information. Specifications subject to change without notice. We could not evaluate all the performance and all the parameters for every possible application. Thus the user should be in a right position to choose the suitable product for their own application. If there is any query, please contact HANDOUK for the technical service. However, it is the user’s responsibility to determine which product should be used only.